

FF85K

Features

- $\varnothing 70\text{mm}$ large ferrite magnet
- Special paper cone made of 'non-wood pulp fiber [KENAF] and bio-cellulose fiber
- UDR tangential edge
- Aluminum center radiator connected onto voice coil

Specifications

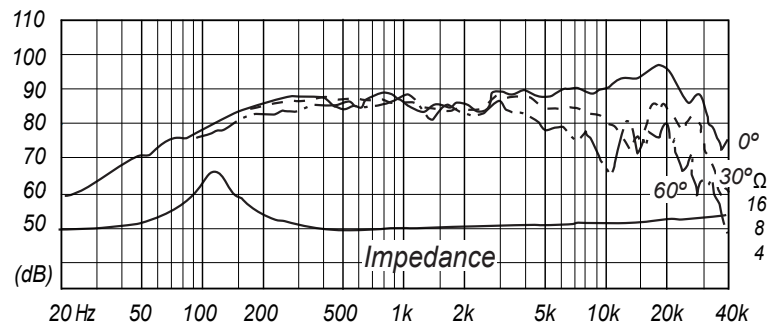
&

Thiele/Small Parameters

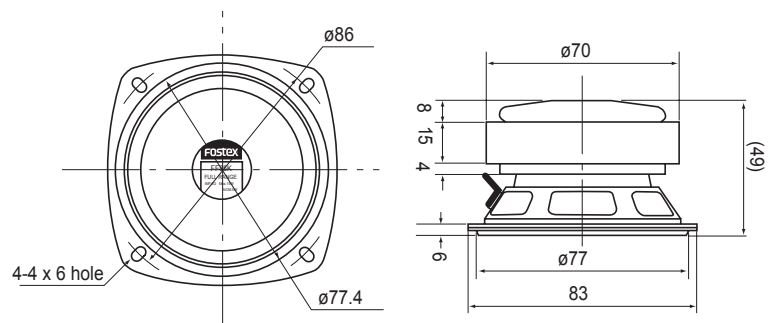
Size	:	80 mm / 3 in
Voice Coil Diameter	:	20 mm / 1 in
Cast / Stamped	:	Stamped
Impedance	:	8 Ω
Reproduction Frequency Response	:	f0 - 125kHz
Sound Pressure Level	:	88 dB/W(m)
Rated Input	:	5
Music Power	:	10 W
Magnet Material	:	Ferrite
Magnet Weight	:	
(main)	:	228.3 g / 0.503 lb
(cancel)	:	n/a g / n/a lb
Net Weight	:	565.0 g / 1.246 lb



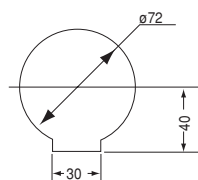
Frequency Response / Impedance



Dimensions & Mounting Information



a	:	3 mm
D	:	6 mm
Sd	:	0.00283 m ²
Zn	:	8 Ω
Fs	:	122 Hz
Re	:	7.08 Ω
Le	:	n/amH
Qms	:	5.54
Qes	:	0.52
Qts	:	0.47
Mms	:	1.8 g
BL	:	4.33 Telsa/m
Vas	:	1.07 L
Xmax	:	0.55 mm
Eff/ $\eta 0$:	0.37 %
Cms	:	0.001 mm/N
EBP	:	235



Overall Diameter	:	83 mm / 3 in
Baffle Hole Diameter	:	77 mm / 3 in
Depth	:	49 mm / 2 in